

A1. Wiring Ducts

CE RoHS EASCO® Bus Bar Insulators U Series (U型绝缘子)

A2. Cable Ties

A3. Din Rails

A4. Cable Markers

A5. Cable Clamps

A6. Wrapping Bands

A7. Nylon Cable Gland

A8. Metal Cable Gland

A9. Plastic Flexible Conduit

A10. Metal Flexible Conduit

A11. Terminal

A12. Copper Tube Terminals

A13. Heat Shrinkable Tubings

A14. Bus Bar Insulators

A15. Tool

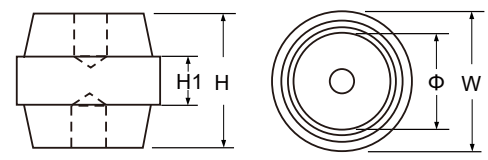
A16. Cable Clip

A17. Insulating Nut

A18. Nylon Cable Carrier



Materials: BMC (Bough Moulding Compound) SMC (Sheet Moulding Compound).
 Insert Material: Brass, Iron.
 Working Temperature: -40°C ~ +140°C
 Remark: Special color, insert, material is upon request by client with reasonable quantities.
 材质: 不饱和聚酯树脂玻璃纤维增强模压塑料(BMC)(SMC).
 嵌件: 黄铜、铁
 工作温度: -40°C~+140°C
 备注: 颜色、嵌件、材料性能可依客户需求定制, 但有起订量要求。

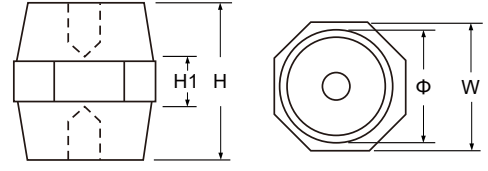


Article No.	Part No.	Tensile Strength (LBS)	Anti-Proof (KV)	Torgue Strength (FT LBS)	Screw	Screw Depth	H	H1	Φ	W	Material	Color
货号	型号	伸缩强度 (LBS)	耐压 (KV)	扭矩 (FT LBS)	螺纹	螺纹深度					材料	颜色
A0114.000.0001	U4535S	650	6	12	10	12	35		35	45	BMC	Red 红色
A0114.000.0002	U4535	700	6	12	10	12	35	13	35	45	BMC	
A0114.000.0003	U4538	800	8	12	10	12	36	16	29	45	BMC	
A0114.000.0004	U5258	1000	10	30	10	15	58	25	34	52	BMC	
A0114.000.0005	U6367	1000	12	40	10	15	67	10	37	63	BMC	

CE RoHS EASCO® Bus Bar Insulators TSM Series (TSM型绝缘子)



Materials: BMC (Bough Moulding Compound) SMC (Sheet Moulding Compound).
 Insert Material: Brass, Iron.
 Working Temperature: -40°C ~ +140°C
 Remark: Special color, insert, material is upon request by client with reasonable quantities.
 材质: 不饱和聚酯树脂玻璃纤维增强模压塑料(BMC)(SMC).
 嵌件: 黄铜、铁
 工作温度: -40°C~+140°C
 备注: 颜色、嵌件、材料性能可依客户需求定制, 但有起订量要求。



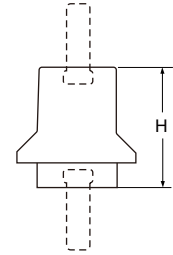
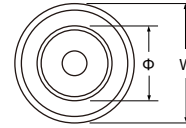
Article No.	Part No.	Tensile Strength (LBS)	Anti-Proof (KV)	Torgue Strength (FT LBS)	Screw	Screw Depth	H	H1	Φ	W	Material	Color
货号	型号	伸缩强度 (LBS)	耐压 (KV)	扭矩 (FT LBS)	螺纹	螺纹深度					材料	颜色
A0114.001.0001	TSM-20	300	4	4	5	7	20	6	12	15	BMC	Red 红色
A0114.001.0002	TSM-30	500	8	8	6	10	30	7	26	30	BMC	
A0114.001.0003	TSM-402	550	8	10	6	13	40	8	24	30	BMC	
A0114.001.0004	TSM-401	700	8	20	8	13	40	7	34	40	BMC	
A0114.001.0005	TSM-40	1000	8	30	10	14	40	8	41	50	BMC	
A0114.001.0006	TSM-50	1500	15	40	10	17	50	10	44	55	BMC	
A0114.001.0007	TSM-55	2000	15	50	10	17	50	10	40	60	BMC	
A0114.001.0008	TSM-70	1500	25	40	10	17	70	10	39	50	BMC	

CE RoHS EASCO® Bus Bar Insulators S Series (S型绝缘子)



Materials: BMC (Bough Moulding Compound) SMC (Sheet Moulding Compound).
 Insert Material: Brass, Iron.
 Working Temperature: -40°C ~ +140°C
 Remark: Special color, insert, material is upon request by client with reasonable quantities.

材质: 不饱和聚酯树脂玻璃纤维增强模压塑料(BMC)(SMC)。
 嵌件: 黄铜、铁
 工作温度: -40°C~+140°C
 备注: 颜色、嵌件、材料性能可依客户需求定制, 但有起订量要求。



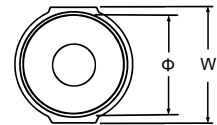
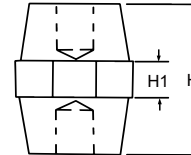
Article No.	Part No.	Tensile Strength (LBS)	Anti-Proof (KV)	Torgue Strength (FT LBS)	Screw	Screw Depth	H	H1	Φ	W	Material	Color
货号	型号	伸缩强度 (LBS)	耐压 (KV)	扭矩 (FT LBS)	螺纹	螺纹深度					材料	颜色
A0114.002.0001	S525-1	400	5	6	5	7	25		16	26	BMC	Red,White, Brown,Blue 红色,白色 棕色,蓝色
A0114.002.0002	S525-2	400	5	6	5	10	25		16	26	BMC	
A0114.002.0003	S525-3	400	5	6	5	13	25		16	26	BMC	
A0114.002.0004	S842-1	700	8	10	8	13	42		25	45	BMC	
A0114.002.0005	S842-2	700	8	10	8	14	42		25	45	BMC	
A0114.002.0006	S842-3	700	8	10	8	17	42		25	45	BMC	

CE RoHS EASCO® Bus Bar Insulators SM Series (SM型绝缘子)



Materials: BMC (Bough Moulding Compound) SMC (Sheet Moulding Compound).
 Insert Material: Brass, Iron.
 Working Temperature: -40°C ~ +140°C
 Remark: Special color, insert, material is upon request by client with reasonable quantities.

材质: 不饱和聚酯树脂玻璃纤维增强模压塑料(BMC)(SMC)。
 嵌件: 黄铜、铁
 工作温度: -40°C~+140°C
 备注: 颜色、嵌件、材料性能可依客户需求定制, 但有起订量要求。



Article No.	Part No.	Tensile Strength (LBS)	Anti-Proof (KV)	Torgue Strength (FT LBS)	Screw	Screw Depth	H	H1	Φ	W	Material	Color
货号	型号	伸缩强度 (LBS)	耐压 (KV)	扭矩 (FT LBS)	螺纹	螺纹深度					材料	颜色
A0114.003.0001	SM-20	300	5	4	5	7	20	5	15	17	BMC	Red 红色
A0114.003.0002	SM-25S	400	6	5	6	8	25	6	15	19	BMC	
A0114.003.0003	SM-25	500	6	6	6	9	25	10	23	30	BMC	
A0114.003.0004	SM-30	550	8	8	8	11	30	10	27	32	BMC	
A0114.003.0005	SM-35	600	10	10	8	11	35	10	28	32	BMC	
A0114.003.0006	SM-40	650	12	12	8	11	40	10	33	40	BMC	
A0114.003.0007	SM-45	1000	14	20	8	11	45	10	30	36	BMC	
A0114.003.0008	SM-51	1000	15	20	8	14	51	12	29	36	BMC	
A0114.003.0009	SM-60	1200	20	35	10	15	13	60	34	46	BMC	
A0114.003.0010	SM-76	1500	25	40	10	20	15.5	76	35	50	BMC	

A1. Wiring Ducts

A2. Cable Ties

A3. Din Rails

A4. Cable Markers

A5. Cable Clamps

A6. Wrapping Bands

A7. Nylon Cable Gland

A8. Metal Cable Gland

A9. Plastic Flexible Conduit

A10. Metal Flexible Conduit

A11. Terminal

A12. Copper Tube Terminals

A13. Heat Shrinkable Tubings

A14. Bus Bar Insulators

A15. Tool

A16. Cable Clip

A17. Insulating Nut

A18. Nylon Cable Carrier

CE RoHS EASCO® Bus Bar Insulators SEP Series (SEP型绝缘子)



Materials: BMC (Bough Moulding Compound) SMC (Sheet Moulding Compound).

Insert Material: Brass, Iron.

Working Temperature: -40°C ~ +140°C

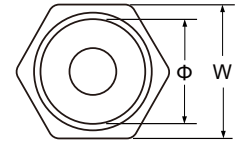
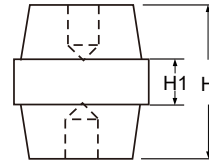
Remark: Special color, insert, material is upon request by client with reasonable quantities.

材质: 不饱和聚酯树脂玻璃纤维增强模压塑料(BMC)(SMC).

嵌件: 黄铜、铁

工作温度: -40°C~+140°C

备注: 颜色、嵌件、材料性能可依客户需求定制, 但有起订量要求。



Article No.	Part No.	Tensile Strength (LBS)	Anti-Proof (KV)	Torgue Strength (FT LBS)	Screw	Screw Depth	H	H1	Φ	W	Material	Color
货号	型号	伸缩强度 (LBS)	耐压 (KV)	扭矩 (FT LBS)	螺纹	螺纹深度					材料	颜色
A0114.004.0001	SEP1615	300	4	3,3	4,5	4,4	16	4	12	15	BMC	Red 红色
A0114.004.0002	SEP2019	400	7	3,6,10	4,5,6	6,6,6	20	5	16	19	BMC	
A0114.004.0003	SEP2519	400	8.5	6,8	5,6	6,6	25	5	15	19	BMC	
A0114.004.0004	SEP2522	500	8.5	3,6,10	4,5,6	7,7,7	25	6	18	22	BMC	
A0114.004.0005	SEP2525	550	8.5	10	8	9	25	8	21	25	BMC	
A0114.004.0006	SEP3030	600	11	10,20,20	6,8,10	9,9,9	30	7	25	30	BMC	
A0114.004.0007	SEP3040	700	11	30,40	8,10	9,9	30	8	33.5	40	BMC	
A0114.004.0008	SEP3532	650	12.5	10,25,40	6,8,10	9,10,10	35	10	28.5	32	BMC	
A0114.004.0009	SEP3540	700	12.5	25,50	8,10	10,10	35	10	33	40	BMC	
A0114.004.0010	SEP3541	700	12.5	10,25,50	6,8,10	9,10,10	35	10	35	41	BMC	
A0114.004.0011	SEP4041	800	14	25,50,85	8,10,12	10,10,10	40	12	34	41	BMC	
A0114.004.0012	SEP4046	1000	14	25,50,85	8,10,12	10,10,12	40	12	40	46	BMC	
A0114.004.0013	SEP4546	1000	15.5	25,50,85	8,10,12	15,15,15	45	13	39.5	46	BMC	
A0114.004.0014	SEP5036	900	15.5	10,25,50	6,8,10	15,15,15	50	12	29	36	BMC	
A0114.004.0015	SEP5046	1100	15.5	50	10	15	50	10	37	46	BMC	
A0114.004.0016	SEP5050	1500	15.5	25,50,85	8,10,12	15,15,15	50	15	45	50	BMC	
A0114.004.0017	SEP6060	2000	21	25,50,85	8,10,12	15,15,20	60	15	49.5	60	BMC	
A0114.004.0018	SEP6541	1000	22	25,50,85	8,10,12	15,20,20	65	12	32	41	BMC	
A0114.004.0019	SEP7060	2000	25	25,50,85	10,12,16	20,20,25	70	14	52	60	BMC	
A0114.004.0020	SEP7550	1500	28	25,50,85	8,10,12	15,15,20	75	16	38.5	50	BMC	

CE RoHS EASCO® Bus Bar Insulators SB Series (SB型绝缘子)



Materials: BMC (Bough Moulding Compound) SMC (Sheet Moulding Compound).

Insert Material: Brass, Iron.

Working Temperature: -40°C ~ +140°C

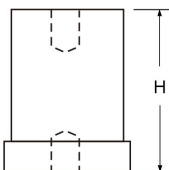
Remark: Special color, insert, material is upon request by client with reasonable quantities.

材质: 不饱和聚酯树脂玻璃纤维增强模压塑料(BMC)(SMC).

嵌件: 黄铜、铁

工作温度: -40°C~+140°C

备注: 颜色、嵌件、材料性能可依客户需求定制, 但有起订量要求。

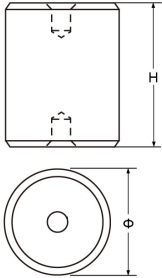


Article No.	Part No.	A/F	H	Torgue Strength (FT LBS)	Screw	Material	Color
货号	型号			扭矩 (FT LBS)	螺纹	材料	颜色
A0114.005.0001	SB20	20	20,25,30,40,50,50	5	5,6	BMC	Red 红色
A0114.005.0002	SB30	30	30,35,40,50,60,65	10	6,8	BMC	
A0114.005.0003	SB35	35	45,45,45,45,45,45	35	10,10	BMC	
A0114.005.0004	SB40	40	30,35,40,50,60,70	16	8,10	BMC	
A0114.005.0005	SB60	60	40,50,60,70,80,80	50	12,16	BMC	

CE RoHS EASCO® Bus Bar Insulators MNS Series (MNS型绝缘子)

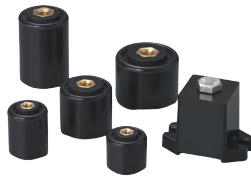


Materials: BMC (Bough Moulding Compound) SMC (Sheet Moulding Compound).
 Insert Material: Brass, Iron.
 Working Temperature: -40°C ~ +140°C
 Remark: Special color, insert, material is upon request by client with reasonable quantities.
 材质: 不饱和聚酯树脂玻璃纤维增强模压塑料(BMC)(SMC)。
 嵌件: 黄铜、铁
 工作温度: -40°C~+140°C
 备注: 颜色、嵌件、材料性能可依客户需求定制, 但有起订量要求。



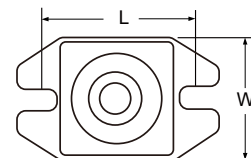
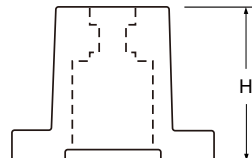
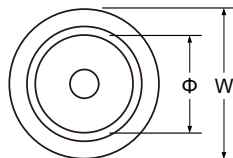
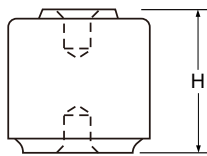
Article No.	Part No.	Φ	H	Torgue Strength (FT LBS)	Screw	Material	Color
货号	型号			扭矩 (FT LBS)	螺纹	材料	颜色
A0114.006.0001	MNS16xH.D.	Φ16	20,25,30,35,40	M6	8	BMC	Red 红色
A0114.006.0002	MNS25xH.D.	Φ25	25,30,40,50	M6	9	BMC	
A0114.006.0003	MNS30xH.D.	Φ30	30,40,50,60	M8	9	BMC	
A0114.006.0004	MNS40xH.D.	Φ40	40,50,60,70,80	M8,M10	12	BMC	
A0114.006.0005	MNS50xH.D.	Φ50	50,60,70,80	M8,M10	15	BMC	
A0114.006.0006	MNS60xH.D.	Φ60	40,50,60	M10,M12	15	BMC	
A0114.006.0007	MNS70xH.D.	Φ70	70,80,90,100,110	M14,M16	18,22	BMC	

CE RoHS EASCO® Bus Bar Insulators ID Series (ID型绝缘子)



Materials: BMC (Bough Moulding Compound) SMC (Sheet Moulding Compound).
 Insert Material: Brass, Iron.
 Working Temperature: -40°C ~ +140°C
 Remark: Special color, insert, material is upon request by client with reasonable quantities.
 材质: 不饱和聚酯树脂玻璃纤维增强模压塑料(BMC)(SMC)。
 嵌件: 黄铜、铁
 工作温度: -40°C~+140°C
 备注: 颜色、嵌件、材料性能可依客户需求定制, 但有起订量要求。

Article No.	Part No.	Tensile Strength (LBS)	Anti-Proof (KV)	Torgue Strength (FT LBS)	Screw	Screw Depth	H	L	Φ	W	Material	Color
货号	型号	伸缩强度 (LBS)	耐压 (KV)	扭矩 (FT LBS)	螺纹	螺纹深度					材料	颜色
A0114.007.0001	Φ30x30	500	5	8	6	10	30		18	30	BMC	Black 黑色
A0114.007.0002	Φ30x40	500	6	10	6	12	40		18	30	BMC	
A0114.007.0003	Φ40x40	650	10	12	8	13	40		26	40	BMC	
A0114.007.0004	Φ30x60	650	15	40	10	15	60		26	40	BMC	
A0114.007.0005	Φ50x40	1000	10	50	10	13	40		31.5	50	BMC	
A0114.007.0006	CJ50	500	8	20	10		50	50		40	BMC	



Φ30x30, Φ30x40, Φ40x40, Φ30x60, Φ50x40

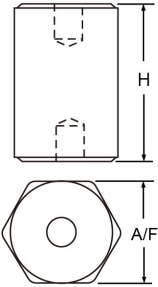
CJ50

- A1. Wiring Ducts
- A2. Cable Ties
- A3. Din Rails
- A4. Cable Markers
- A5. Cable Clamps
- A6. Wrapping Bands
- A7. Nylon Cable Gland
- A8. Metal Cable Gland
- A9. Plastic Flexible Conduit
- A10. Metal Flexible Conduit
- A11. Terminal
- A12. Copper Tube Terminals
- A13. Heat Shrinkable Tubings
- A14. Bus Bar Insulators
- A15. Tool
- A16. Cable Clip
- A17. Insulating Nut
- A18. Nylon Cable Carrier

CE RoHS EASCO® Bus Bar Insulators EN Series (EN型绝缘子)



Materials: BMC (Bough Moulding Compound) SMC (Sheet Moulding Compound).
 Insert Material: Brass, Iron.
 Working Temperature: -40°C ~ +140°C
 Remark: Special color, insert, material is upon request by client with reasonable quantities.
 材质: 不饱和聚酯树脂玻璃纤维增强模压塑料(BMC)(SMC).
 嵌件: 黄铜、铁
 工作温度: -40°C~+140°C
 备注: 颜色、嵌件、材料性能可依客户需求定制, 但有起订量要求。

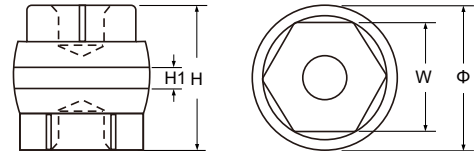


Article No.	Part No.	A/F	H	Torgue Strength (FT LBS)	Screw	Screw Depth	Material	Color
货号	型号			扭矩 (FT LBS)	螺纹	螺纹深度	材料	颜色
A0114.008.0001	EN25	26	25	10	6	9	BMC	Red 红色
A0114.008.0002	EN30	26	30	10	6	9	BMC	
A0114.008.0003	EN32	26	32	10	6	9	BMC	
A0114.008.0004	EN40	26	40	10	6	9	BMC	
A0114.008.0005	EN100	45	100	25,40	10,12	15,18	BMC	
A0114.008.0006	EN110	45	110	25,40	10,12	15,18	BMC	
A0114.008.0007	EN120	45	120	25,40	10,12	15,18	BMC	

CE RoHS EASCO® Bus Bar Insulators D Series (D型绝缘子)



Materials: BMC (Bough Moulding Compound) SMC (Sheet Moulding Compound).
 Insert Material: Brass, Iron.
 Working Temperature: -40°C ~ +140°C
 Remark: Special color, insert, material is upon request by client with reasonable quantities.
 材质: 不饱和聚酯树脂玻璃纤维增强模压塑料(BMC)(SMC).
 嵌件: 黄铜、铁
 工作温度: -40°C~+140°C
 备注: 颜色、嵌件、材料性能可依客户需求定制, 但有起订量要求。

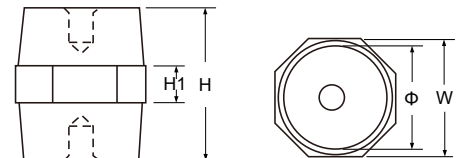


Article No.	Part No.	Tensile Strength (LBS)	Anti-Proof (KV)	Torgue Strength (FT LBS)	Screw	Screw Depth	H	H1	Φ	W	Material	Color
货号	型号	伸缩强度 (LBS)	耐压 (KV)	扭矩 (FT LBS)	螺纹	螺纹深度					材料	颜色
A0114.009.0001	D2525	500	5	20	8	9	25	5	25	20	BMC	Red,Black 红色, 黑色
A0114.009.0002	D3030	700	6	30	8	10	30	4	30	24	BMC	
A0114.009.0003	D5040	100	10	50	10	15	50	10	40	32	BMC	
A0114.009.0004	D6060	2000	12	80	10	18	60	12	60	50	BMC	

CE RoHS EASCO® Bus Bar Insulators 71 Series (71型绝缘子)



Materials: BMC (Bough Moulding Compound) SMC (Sheet Moulding Compound).
 Insert Material: Brass, Iron.
 Working Temperature: -40°C ~ +140°C
 Remark: Special color, insert, material is upon request by client with reasonable quantities.
 材质: 不饱和聚酯树脂玻璃纤维增强模压塑料(BMC)(SMC).
 嵌件: 黄铜、铁
 工作温度: -40°C~+140°C
 备注: 颜色、嵌件、材料性能可依客户需求定制, 但有起订量要求。

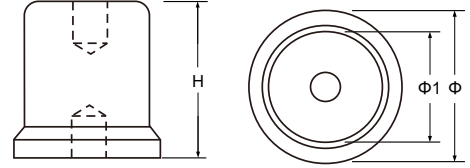


Article No.	Part No.	Tensile Strength (LBS)	Anti-Proof (KV)	Torgue Strength (FT LBS)	Screw	Screw Depth	H	H1	Φ	W	Material	Color
货号	型号	伸缩强度 (LBS)	耐压 (KV)	扭矩 (FT LBS)	螺纹	螺纹深度					材料	颜色
A0114.011.0001	7100	500	6	6	6	9	30	7	26	30	BMC	Red 红色
A0114.011.0002	7105	650	8	8	6	10	38	10	27	33	BMC	
A0114.011.0003	7110	800	10	10	8	12	45	10	32	40	BMC	
A0114.011.0004	7120	1200	15	12,35	8,10	12,15	52	12	42	52	BMC	
A0114.011.0005	7125	1500	20	40	10	18	62	12	44	55	BMC	

CE RoHS EASCO® Bus Bar Insulators C Series (C型绝缘子)

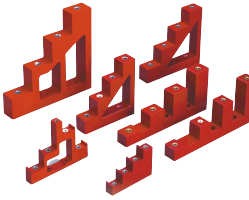


Materials: BMC (Bough Moulding Compound) SMC (Sheet Moulding Compound).
 Insert Material: Brass, Iron.
 Working Temperature: -40°C ~ +140°C
 Remark: Special color, insert, material is upon request by client with reasonable quantities.
 材质: 不饱和聚酯树玻璃纤维增强模压塑料(BMC)(SMC)。
 嵌件: 黄铜、铁
 工作温度: -40°C~+140°C
 备注: 颜色、嵌件、材料性能可依客户需求定制, 但有起订量要求。

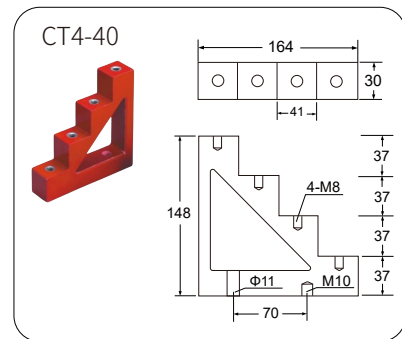
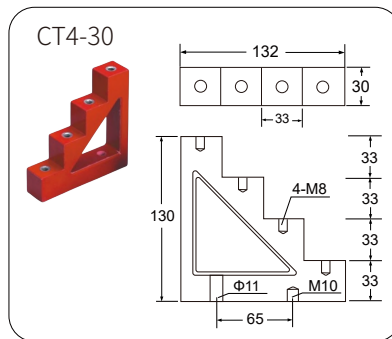
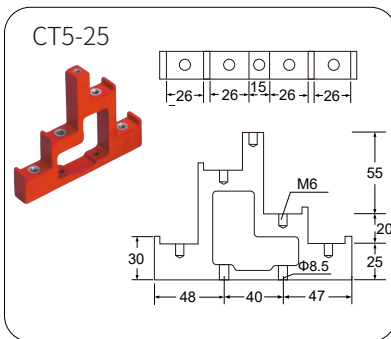
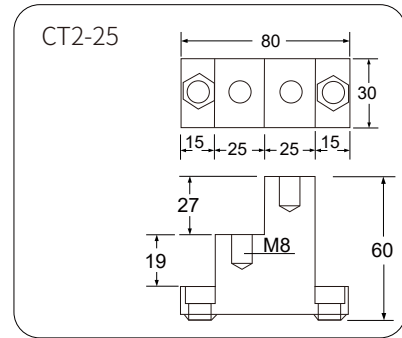
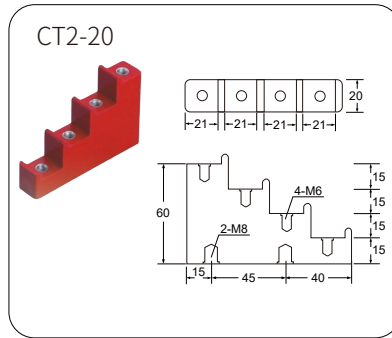
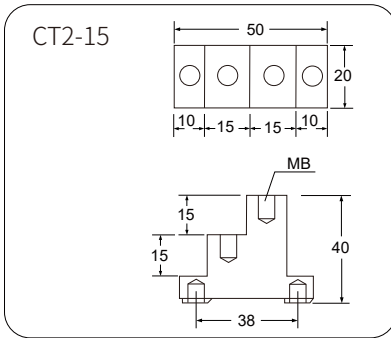


Article No.	Part No.	Tensile Strength (LBS)	Anti-Proof (KV)	Torgue Strength (FT LBS)	Screw	Screw Depth	H	Φ1	Φ	Material	Color
货号	型号	伸缩强度 (LBS)	耐压 (KV)	扭矩 (FT LBS)	螺纹	螺纹深度				材料	颜色
A0114.010.0001	C25	500	6	6	6	9	25	21	25	BMC	Red 红色
A0114.010.0002	C30	550	8	6,8	6,8	9,12	30	24	30	BMC	
A0114.010.0003	C40	650	12	12	8	12	40	30	40	BMC	
A0114.010.0004	C50	1000	15	12,20	8,10	12,15	50	40	50	BMC	
A0114.010.0005	C60	1200	20	20,40	10,12	15,18	60	45	60	BMC	
A0114.010.0006	C70	1500	22	20,40	10,12	15,18	70	45	60	BMC	

CE RoHS EASCO® Step Type Insulator (梯形绝缘子)



Materials: BMC (Bough Moulding Compound) SMC (Sheet Moulding Compound).
 Insert Material: Brass, Iron.
 Working Temperature: -40°C ~ +140°C
 Remark: Special color, insert, material is upon request by client with reasonable quantities.
 材质: 不饱和聚酯树玻璃纤维增强模压塑料(BMC)(SMC)。
 嵌件: 黄铜、铁
 工作温度: -40°C~+140°C
 备注: 颜色、嵌件、材料性能可依客户需求定制, 但有起订量要求。



A1. Wiring Ducts

CE RoHS EASCO® Step Type Insulator (梯形绝缘子)

A2. Cable Ties

A3. Din Rails

A4. Cable Markers

A5. Cable Clamps

A6. Wrapping Bands

A7. Nylon Cable Gland

A8. Metal Cable Gland

A9. Plastic Flexible Conduit

A10. Metal Flexible Conduit

A11. Terminal

A12. Copper Tube Terminals

A13. Heat Shrinkable Tubings

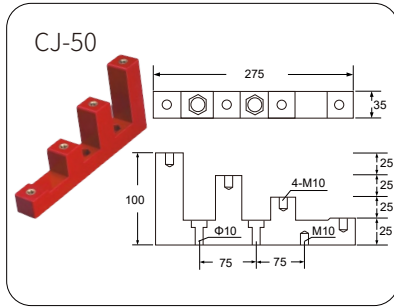
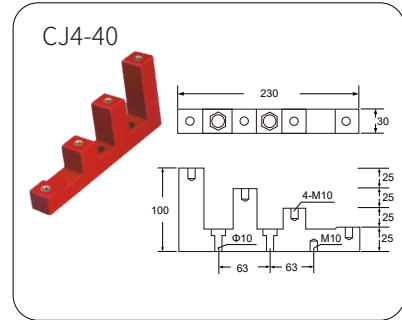
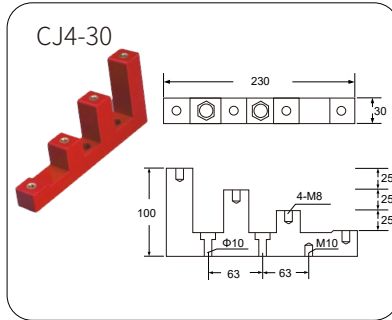
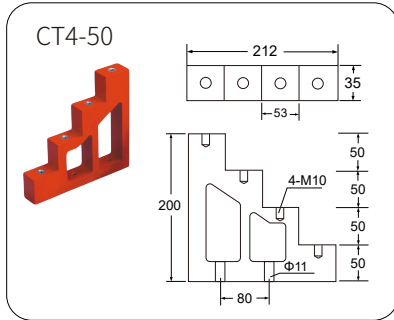
A14. Bus Bar Insulators

A15. Tool

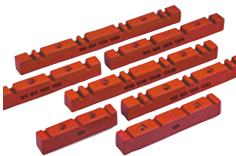
A16. Cable Clip

A17. Insulating Nut

A18. Nylon Cable Carrier



CE RoHS EASCO® High Voltage Insulator CL Series (CL系列铜排夹)



Materials: BMC (Bough Moulding Compound) SMC (Sheet Moulding Compound).

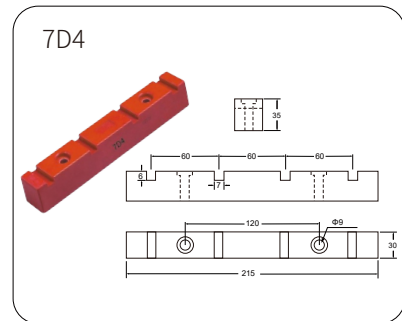
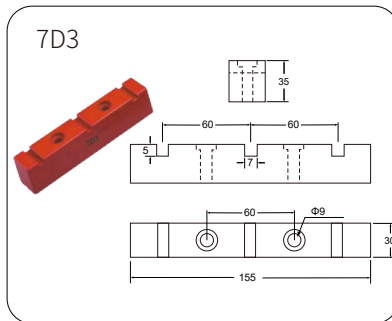
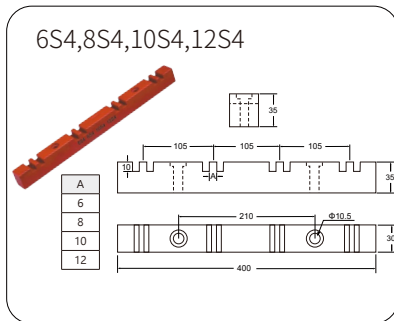
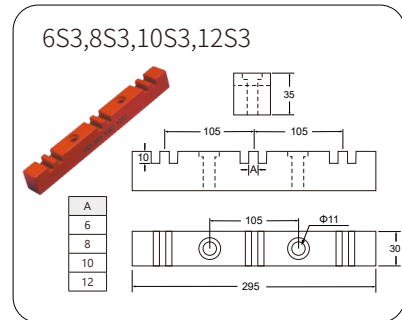
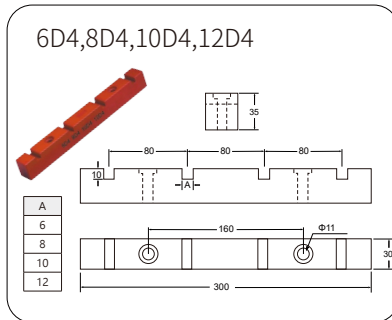
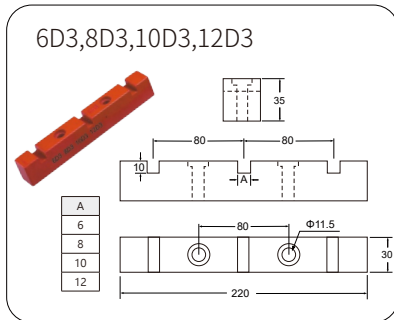
Working Temperature: -40°C ~ +140°C

Remark: Special color, insert, material is upon request by client with reasonable quantities.

材质: 不饱和聚酯树脂玻璃纤维增强模压塑料(BMC)(SMC)。

工作温度: -40°C~+140°C

备注: 颜色、嵌件、材料性能可依客户需求定制, 但有起订量要求。



- A1. Wiring Ducts
- A2. Cable Ties
- A3. Din Rails

CE RoHS EASCO® High Voltage Insulator L Series (L系列铜排夹)



Materials: BMC (Bough Moulding Compound) SMC (Sheet Moulding Compound).
 Working Temperature: -40°C ~ +140°C
 Remark: Special color, insert, material is upon request by client with reasonable quantities.
 材质: 不饱和聚酯树脂玻璃纤维增强模压塑料(BMC)(SMC).
 工作温度: -40°C~+140°C
 备注: 颜色、嵌件、材料性能可依客户需求定制,但有起订量要求。

- A4. Cable Markers

- A5. Cable Clamps

- A6. Wrapping Bands

- A7. Nylon Cable Gland

- A8. Metal Cable Gland

- A9. Plastic Flexible Conduit

- A10. Metal Flexible Conduit

- A11. Terminal

- A12. Copper Tube Terminals

- A13. Heat Shrinkable Tubings

- A14. Bus Bar Insulators

- A15. Tool

- A16. Cable Clip

- A17. Insulating Nut

- A18. Nylon Cable Carrier

